



QINGDAO VENIT IMPORT AND EXPORT CO., LTD



QINGDAO VENIT IMPORT AND EXPORT CO., LTD

Tel: +86-532-80921252

Fax: +86-532-80921252

Wechat / WhatsApp: +86-18954297651

Sales Manger: Jason E-mail: sales@qdvenit.com

Website: WWW.QDVENIT.COM





### Company Profile ↙

**QINGDAO VENIT IMPORT AND EXPORT CO., LTD** is an ISO 9001 certified firm, specializes in the field of Lifting & Hoisting Equipments, Lashing Equipments, Rigging & Marine Hardware, Wire Ropes, Chains, Pulley Blocks, Hammers, Manual Tools, Fiber Ropes, Rubber Products, Webbing Slings, Round Slings, Ratchet Straps, Anchor Chain, Auto Parts and other products.

We are located in Qingdao, China with convenient transportation access. All products are produced under strict standard of quality control, constant research and development ensures that you are getting the latest products produced with the most advanced and cost effective technologies. Most of our products are CE & TUV & GS certified. The Marine Hardwares approved CCS,ABS, LR, DNV, BV, GL, KR, KN, and RINA certificates.

Over the years, our company always adhere to the highest standards of customers satisfaction and high quality products as a measure of corporate work and to establish a set of strict and scientific quality control system. Our company products are exported to Europe, North America, South America, Southeast Asia, the Middle East, Australia, etc.

Quality is the fundamental principle, services is the guarantee of stable development. VENIT is more than a supplier, we also are a partner you can trust.

Our company aims to have cooperation and mutual benefits with customers worldwide. Our staff has been well cultivated, they have rich experience in technology and best service. We have a team of professionals working together and can provide you the professional advice and solution in order to support our customers demands.

In order to meet the various needs of the customers both domestic and abroad, our company is actively researching and developing new products . We will keep on providing good products and services on the basis of mutual benefit. We sincerely welcome customers from all over the world to negotiate business.

## Workshop and Equipment

We mainly have 6 workshops: precise processing, forge, heat treatment, stamping, welding and assembly workshops (shown as the following pictures).

### Precise processing workshop



### Forging workshop



### Heat treatment workshop



### Stamping workshop





Welding workshop



Assembly workshop



Test equipment



# CONTENTS

<b>05</b> Forged Hook	<b>21</b> Cargo Bar
<b>09</b> Forged D Ring	<b>23</b> Cargo Plank
<b>11</b> Pan Fitting	<b>24</b> Cargo Bar Pad
<b>13</b> One way Lashing Buckle	<b>26</b> Corner Protector
<b>14</b> E/A/L Track Fitting	<b>27</b> Rubber Tie Down
<b>17</b> Overcenter Buckle	<b>28</b> Winch
<b>18</b> Flat Hook	<b>29</b> Wire Hook
<b>20</b> Swivel J Hook	<b>35</b> Others





**A6004**  
Forged Safety Hook with Triangle Ring, 5500kgs/12100lbs



**HK-3**  
Forged Eye hook, 5000kgs/11000lbs



**HK-4**  
Forged Eye hook, 3500kgs/7700lbs



**HK-15**  
2" Forged Snap Hook, 5000kgs/11000lbs



**HK-20Y**  
2" TRAILER HOOK, 20000kgs/44000lbs



**HK-25**  
Forged Trailer Hook, 25000kgs/55000lbs



**HK-5**  
Forged Eye hook, 5000kgs/11000lbs



**HK-6**  
Forged Eye hook, 5000kgs/11000lbs



**HK-6+6004**  
Forged Eye hook with Triangle Ring, 5000kgs/11000lbs



**HK-12**  
Forged Net Hook, 2500kgs/5500lbs



**PF52**  
Tow Hook with D Ring, 3300KGS/7260lbs



**HK-9**  
Forged J hook, 4000kgs/8800lbs



**HK-8**  
Forged Eye hook, 3000kgs/6600lbs



**HK8-D**  
Forged Eye hook with D Ring, 3000kgs/6600lbs



**HK-14**  
Forged Eye Twisted Hook, 3500kgs/7700lbs



**FH623**  
2" Forged Flat Hook, 5000kgs/11000lbs



**HK-17R**  
2" Twisted Forged Hook, 17000kgs/37400lbs



**A6009**  
Forged Hook zinc plated, 1500kgs/3300lbs





**XJ-1.5**  
1.5"Forged Swivel Snap Hook,  
1000kgs/2200lbs



**XJ-1**  
1"Forged Swivel Snap Hook,  
1000kgs/2200lbs



**XJ-2**  
2"Forged Swivel Snap Hook,  
1000kgs/2200lbs



**TYDR3**  
3"Delta Ring,  
8200kgs/18000lbs



**TYDR4**  
4"Delta Ring,  
10000kgs/22000lbs



**TYDR5**  
2"Delta Ring,  
4500kgs/9900lbs



**HKE-20**  
Forged Trailer Hook



**RH104**  
Forged Eye Bolt



**RH104-1**  
Forged Eye Bolt



**TY9150**  
Lashing ring,  
5000kgs/11000lbs



**TY9151**  
Lashing ring,  
5000kgs/11000lbs



**GM07**  
2"FORGED RING,  
2000kgs/4400lbs



**AR2**  
2" Forged Belt Ring,  
2270kgs/5000lbs



**AR13-D**  
1"Forged Double D Ring,  
3000kgs/6600lbs



**AR12**  
1"X2"Forged Rectangle Ring,  
3000kgs/6600lbs



**GM15**  
Forged Hook  
1500kgs/3300lbs



**CH**  
Forged Container Holder





D3001



D3001-R



D3002



D3003



D3004



D3005



D3006



D3007



D3009



D3010

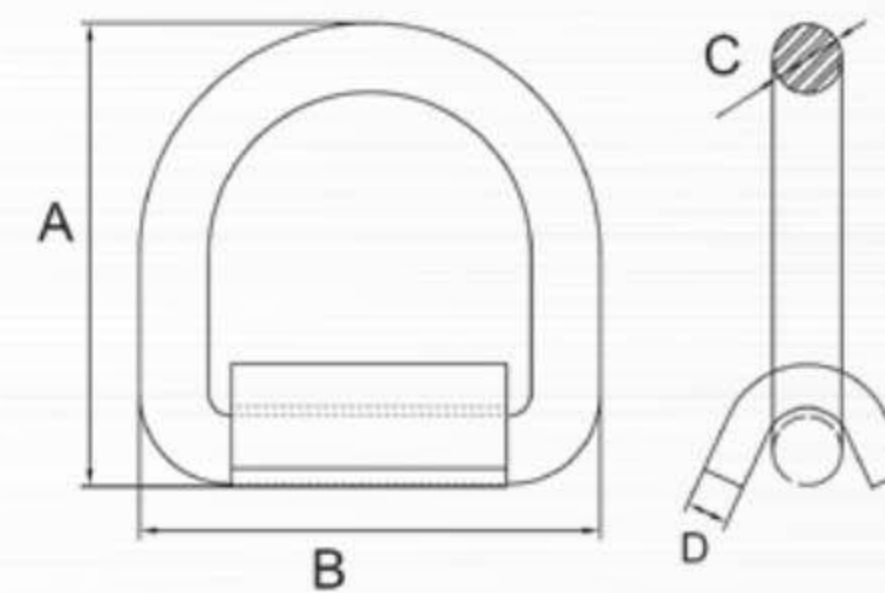


D3010-B



D3011

forged d ring	A	B	C	D	MBS
D3001	3 1/2"	3 1/2"	1/2"	7.5mm	12000lbs/5500kgs
D3002	4 1/4"	4 1/4"	5/8"	10mm	18000lbs/8000kgs
D3003	4 1/2"	4 1/2"	3/4"	10mm	26500lbs/12000kgs
D3004	5"	5"	1"	11mm	47000lbs/21000kgs
D3005	6"	5"	1"	11mm	47000lbs/21000kgs
D3006	6"	5"	1"	11mm	47000lbs/21000kgs
D3007	5/16"	5"	20mm	10mm	11000lbs/5000kgs
D3009	6 1/2"	5.7"	1"	15mm	28600lbs/13000kgs
D3010	6 1/2"	5.7"	1"	15mm	44000lbs/20000kgs
D3011	2"	3.15"	8mm	NA	5720lbs/2600kgs







**PPE-1**  
Surfaced Mounted D-Ring,  
6000kgs/13200lbs



**PPE-2**  
2" Rectangle Floor Pan Fitting  
Round Hole,2720kgs/6000lbs



**PPE-2SQ**  
2" Rectangle Floor Pan Fitting  
Square Hole,2720kgs/6000lbs



**PPE-9**  
Surface Mounted D-Ring,  
5000kgs/11000lbs



**PPE-10**  
Surface Mounted D-Ring,  
5000kgs/11000lbs



**PPE-12**  
Recessed Pan Fitting,  
2270kgs/5000lbs



**PPE-3**  
Surfaced Mounted D Ring,  
545kgs/1200lbs



**PPE-3A**  
Welded Mounted D Ring, Black,  
1360kgs/3000lbs



**PPE-5**  
Recessed Mounting Rope Ring,  
4000kgs/8800lbs



**PPE-12-S**  
2" Recessed Pan Fitting  
with spring,5000lbs



**PPE-13**  
Recessed Rope Ring,  
545kgs/1200lbs



**PPE-14**  
Recessed Rotating Rope Ring-Bolt  
on or Weld-on, 1360kgs/3000lbs



**PPE-6SS**  
Stainless Steel Recessed Rope  
Ring,545kgs/1200lbs



**PPE-7**  
Surface Mounted D-Ring,  
6000kgs/13200lbs



**PPE-8**  
Surface Mounted Rope Ring,  
545kgs/1200lbs



**PPE-14S**  
Recessed Rotating Rope Ring-Bolt  
on or Weld-on, 1360kgs/3000lbs



**PPE-15**  
Surface Mounted Ring,  
500kgs/1100lbs



**PPE-20**  
Recessed Pan Fitting,  
300kgs/660lbs





**D355-R** Surface Mounted Rope Ring

ITEM NO	Available D Ring Size			BS:KGS
	A	B	C	
D252	25.4	33	6.5	3000
D259	25	22	6.5	/
D355	26	30.5	6.5	/
D451	27	41.3	6.5	1361



**AR14** 1 3/4" Wire Buckle, 4000kgs/8800lbs



**AR17-B** 1 1/2" One way Lashing Buckle, 4000kgs/8800lbs



**AR20** 2" One Way Lashing Buckle, 5000kgs/11000lbs



**AR22** 1" One Way Lashing Buckle, 3000kgs/6600lbs



**6072-6.5L**  
Double stud fitting with Pear Ring, 2727kgs/6000lbs



**32507**  
Double stud fitting with Pear Ring, 2727kgs/6000lbs



**6072-O**  
Double stud fitting with Round Ring, 2727kgs/6000lbs



**R-10-00329**  
1.5" Swivel Eye Bolt



**R2002A-6.5D**  
Series E/A track fitting with D Ring, 2727kgs/6000lbs



**R2002A-D**  
Series E/A track fitting with double O Ring, 2727kgs/6000lbs



**F1018-6.5D-FE**  
Series E/A track fitting with D Ring, 1500kgs/3300lbs



**R2003A**  
E Track Fitting with D Ring, 2727kgs/6000lbs



**F1018-6R-Fe**  
Series E/A track fitting with O Ring, 1500kgs/3300lbs





**R2004A-8R**

Series E/A track fitting with O Ring, 2000kgs/4400lbs



**F1018-6.5D**

Series E/A track fitting with D Ring, 1500kgs/3300lbs



**R2002A-8R**

Series E/A track fitting with O Ring, 2727kgs/6000lbs



**F1017-2**

2" Spring E fitting, 2045kgs/4500lbs



**F1017-2E**

2" Spring E fitting, 2045kgs/4500lbs



**F1017-1**

2" Spring E fitting, 2045kgs/4500lbs



**6081**

Quattro Stud fitting with O ring, 2727kgs/6000lbs



**8743**

Series E/A track fitting



**32505**

Double Stud fitting with large opening



**PSS202**

Seat Track Fitting with Web adjuster



**TYCF**

Series L double stud fitting



**6072**

Double stud fitting, 2500kgs/5500lbs



**R2002A-U50**

E Track Roller Idler Fitting Assembly, 1360kgs/3000lbs



**32506 8738 FE8503-1 8786**

Double stud fitting assembly



**PSS101**

Single Stud fitting, 1360kgs/3000lbs





**PRB18-SS**

2"Stainless Steel Overcenter Buckle,900kgs/1980lbs



**PRB18**

2"Overcenter Buckle, 800kgs/1760lbs



**PRB18-2C**

2"Stainless Steel Overcenter Buckle,1500kgs/3300lbs



**PRB21**

2"Overcenter Buckle, 900kgs/1980lbs



**PRB21-R**

2"Stainless Steel Overcenter Buckle,900kgs/1980lbs



**PRB22**

2"Overcenter Buckle, 1500kgs/3300lbs



**PRB25**

1"Overcenter Buckle, 800kgs/1760lbs



**R-10-01169**

1"Spring Action Buckle



**PRB20**

1"Paddle Buckle and Snap Hook with Defender, 2000kgs/4400lbs



**PRB10**

1"Paddle Buckle and Snap Hook with Defender, 1500kgs/3300lbs



**FH003**

3"Flat Snap Hook, 6500kgs/14300lbs



**Y-1856A**

2"Snap Hook, 5000kgs/11000lbs



**Y1856B**

2"Flat Snap Hook With Spacer, 3000kgs/6600lbs



**FH1842**

2"Twisted Flat Snap Hook, 5000kgs/11000lbs



**FH1840**

2"Flat Snap Hook 5000kgs/11000lbs



**AR19**

Flat Hook with Weld-on Ring



**FH012**

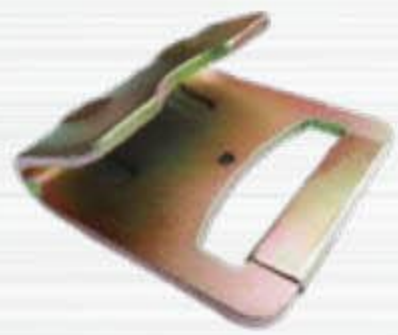
2"Flat Snap Hook, 3000kgs/6600lbs



**FH101**

1"Zinc Plated Snap Hook, 2500kgs/5500lbs





**FH004**  
4"Metal Flat Hook,  
9000kgs/19800lbs



**FH004E**  
4"Metal Flat Hook Black,  
9000kgs/19800lbs



**FH008**  
2"Flat Container Hook,Black,  
5000kgs/11000lbs



**FH204**  
2"Flat snap Hook  
2000kgs/4400lbs



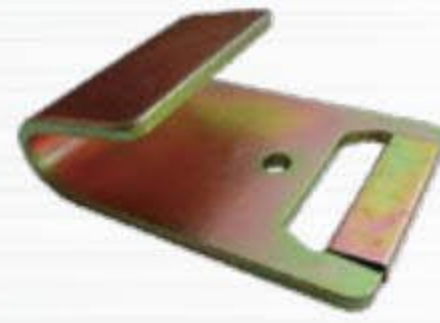
**FH204-E**  
2"Flat snap Hook Black  
2000kgs/4400lbs



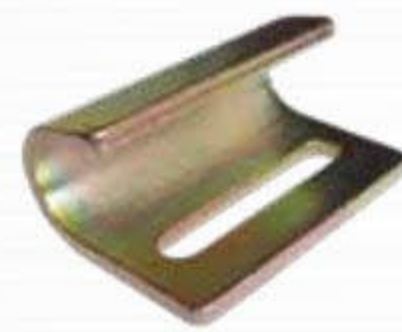
**FH00762-S**  
1"Zinc plated Metal Flat Hook,  
350kgs/770lbs



**FH010**  
2"Heavy Duty Container Hook,  
7200kgs/15840lbs



**FH002**  
2"Zinc plated Flat Hook with  
Defender,4540kgs/10000lbs



**H30-0104**  
2"Zinc plated Flat Hook for  
webbing 2000kgs/4400lbs



**PSJ-35**  
1.5" Swivel J hook with Bolt  
and Nut, 3000kgs/6600lbs



**PSJ-35A**  
1.5" Swivel J hook,  
3000kgs/6600lbs



**PSJ-50A**  
2" Swivel J hook,  
5500kgs/12100lbs



**PSJ-50N**  
2" Swivel J hook with bolt and  
nut(short), 5500kgs/12100lbs



**H30-0104SS**  
2"Stainless Steel Flat Hook for  
webbing 1500kgs/3300lbs



**FH00762**  
1"Zinc plated Metal Flat Hook,  
320kgs/700lbs



**FH00423**  
1"Small Metal Flat Hook,  
340kgs/748lbs



**PSJ-51**  
1.5" Swivel J hook,  
4000kgs/8800lbs



**PSJ-53**  
2" Swivel J hook,  
5000kgs/11000lbs



**PSJ-55**  
2" Swivel J hook,  
5000kgs/11000lbs



**PSJ-58**  
2" Swivel J hook,  
3000kgs/6600lbs





CB104



CB204



PCB204



CB204-P



CB204-P-SPRING



CB204-P-SPRING-AL



CB404-AL



CB405-38



CB405-AL



PCB404



TY100



TY100-1

Item#	Rack&Housing&Pads Type	Tube Material	Tube Dia.	Adjustable
PCB404	TY100&4*4 Rubber Pads	Steel Tube	∅ 38MM	From 2350 TO 2720mm, no spring
CB104	TY100-1&2*4 Rubber Pads	Alu Tube	∅ 38MM	From 2260 TO 2630mm, no Spring
CB204	TY100&2*4 Rubber Pads	Steel Tube	∅ 38MM	From 2260 TO 2630mm, no Spring
CB204-P	TY100&2*4 Plastic Pads	Steel Tube	∅ 38MM	From 2260 TO 2630mm, no Spring
PCB204	TY100&4*4 Rubber Pads	Steel Tube	∅ 38MM	From 2260 TO 2630mm, no Spring
CB204-P-90.5"	TY100&2*4 Plastic Pads	Steel Tube	∅ 38MM	From 2300 TO 2670mm, no spring
CB204-P-SPRING	TY100&2*4 Plastic Pads	Steel Tube	∅ 38MM	From 2260 TO 2630mm, with Spring
CB204-P-SPRING-AL	TY100&2*4 Plastic Pads	Alu Tube	∅ 38MM	From 2260 TO 2630mm, with Spring
CB404	TY100&2*4 Plastic Pads	Steel Tube	∅ 42MM	From 2350 TO 2720mm, with Spring
CB404-AL	TY100&2*4 Plastic Pads	Alu Tube	∅ 42MM	From 2350 TO 2720mm, with Spring
CB405-38	TY100&2*4 Plastic Pads	Steel Tube	∅ 38MM	From 2565 TO 2935mm, with Spring
CB405	TY100&2*4 Plastic Pads	Steel Tube	∅ 42MM	From 2565 TO 2935mm, with Spring
CB405-AL	TY100&2*4 Plastic Pads	Alu Tube	∅ 42MM	From 2565 TO 2935mm, with Spring





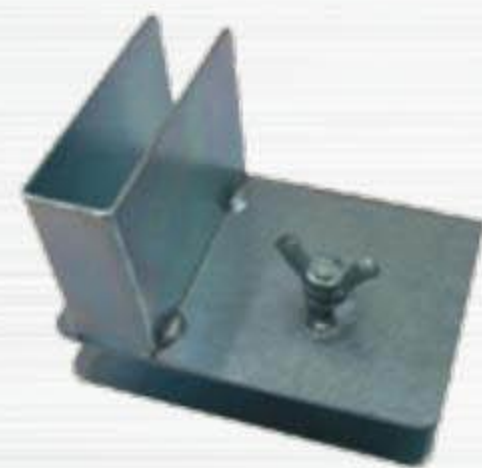
**CP-A** Cargo Lock Plank Anodized Aluminum Tube, 2400mm-2700mm, size 125mmX30mm



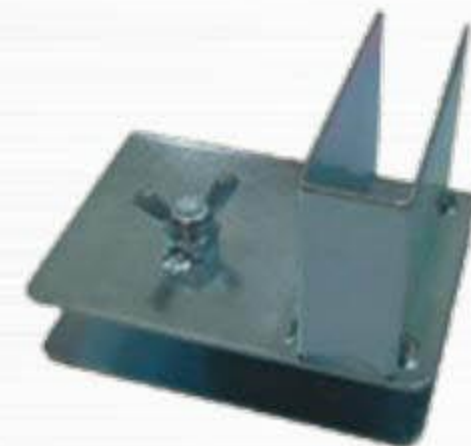
**FJ-S** F J Plank/ Stamping



**FJ-C** F J Plank /Casting



**TY23L** Cargo Lock Plank Fitting Left



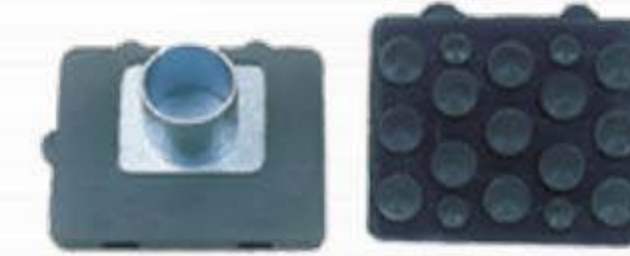
**TY23R** Cargo Lock Plank Fitting Right



**B10052/B10053** 2"X4"Rubber Foot for Large and Small Tube Bolt On



**B10072/B10073** 4"X4"Rubber Foot for Large and Small Tube Bolt On



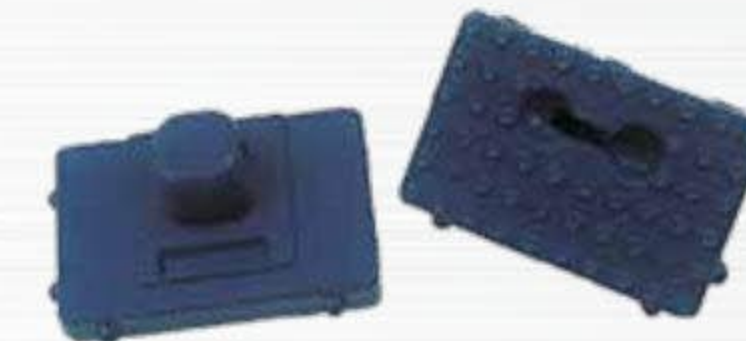
**B10082/B10083** 4"X4"Rubber Foot for Large and Small Tube Bolt On



**B10092** 4"X4"Rubber Domino's Foot Pad Bolt On



**B10110** 2"X4"Rubber Foot for Large and Small Tube Bolt On

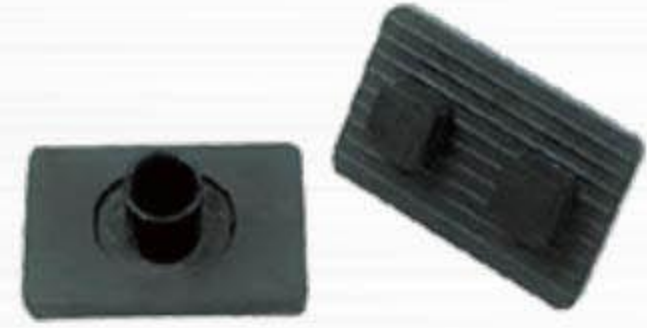


**B10116** 2"X4"Pad (Plastic)





**B10117** 2\"/>



**B10122** 2\"/>



**B10146-4** 4\"/>



**B10146A** 4\"/>



**P10052A** Plastic Foot Pad



**P10062** 2\"/>



**RCP1**  
2\"/>



**RCP2**  
2\"/>



**RCP3**  
3\"/>



**RCP4**  
4\"/>



**PPB-50C**  
Plastic Protector



**RCP-T**  
Rubber Protector



**PBP-06BL**  
12\"/>



**PBP-06**  
12\"/>



**PTP-1**  
Yellow Tarp Corner protector





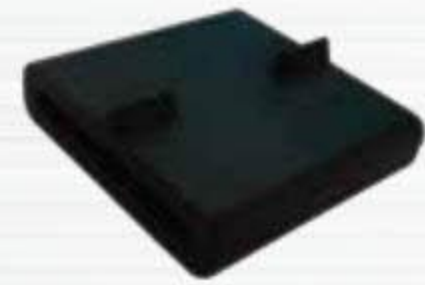
**PBP-08J**  
Tarp Corner protector



**PBP-04**  
4"Plastic Corner Protector



**PBP-04W**  
4"Plastic Corner Protector(White)



**2RP-2**  
2"Rubber Block



**PBE-01**  
Black Edge Protector PE/ABS



**PBP-02**  
4"Plastic Corner Protector



**RT9" TO 41"**  
Heavy Duty Rubber Tie Down Strap

Item code	Strap Length	Overall Length	Installed Length Min Max
RT9	9"	13"	15"-18"
RT15	15"	19"	21"-30"
RT21	21"	25"	28"-42"
RT31	31"	35"	39"-62"
RT41	41"	45"	50"-82"



**TW200**  
2"Lashing Winch with HEX head, 5000kgs/11000lbs



**TW202**  
2"Lashing Winch with HEX head, 5000kgs/11000lbs



**TW203**  
2"Lashing Winch Round head, 5000kgs/11000lbs



**TW204**  
2"Lashing Winch with HEX head, 5000kgs/11000lbs



**TW204-Z**  
2"Lashing Winch, zinc plated, 5000kgs/11000lbs



**49739-10**  
Gear drive winch

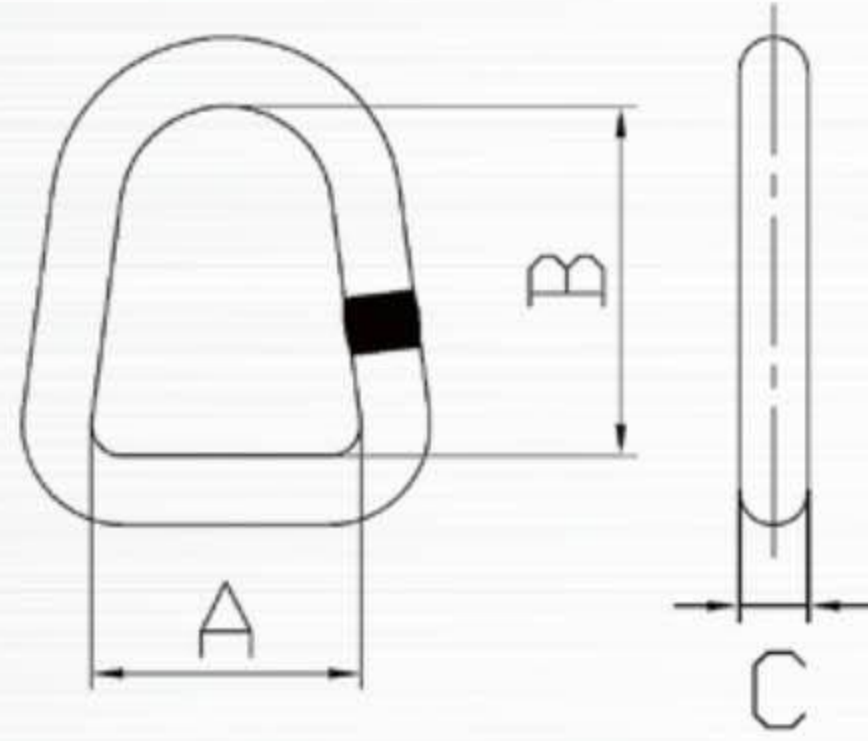


**49739-11**  
Gear drive winch

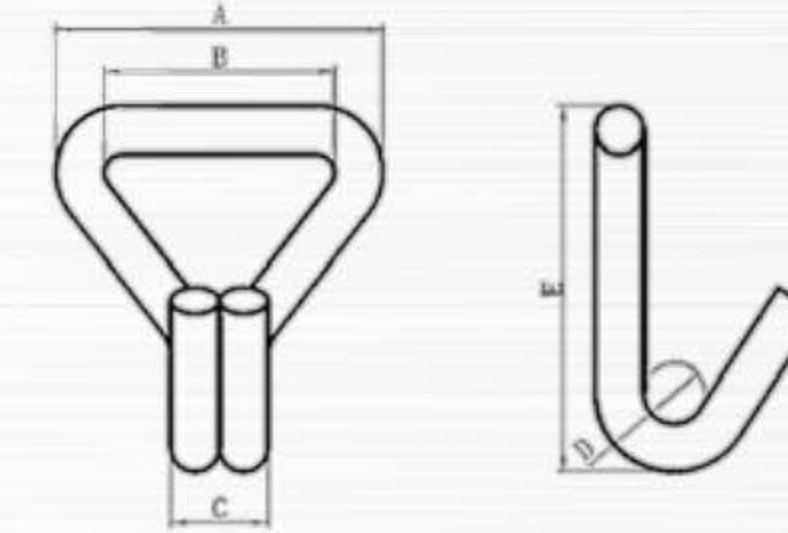


**49739-12**  
Gear drive winch

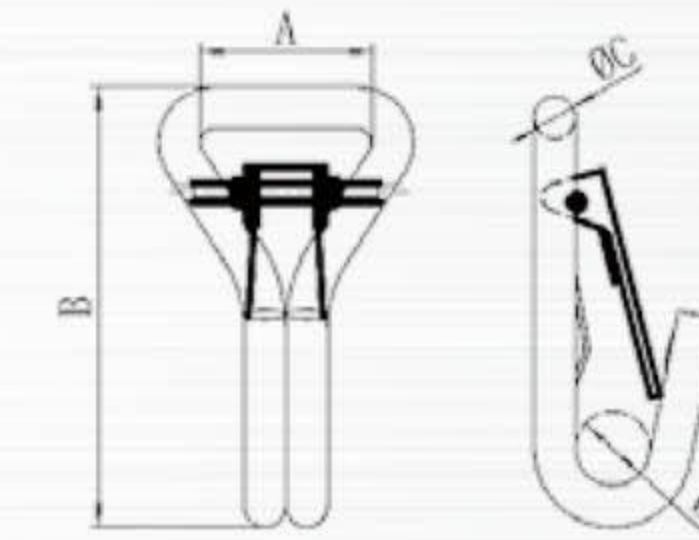



**D RING**


ITEM NO	A	B	C	BS:KGS
D252	25.4	33	6.5	3000
D254	37.6	39	5.5	460
D256-1	60	48	10	4000
D256	53	48	10	4800
D257	51.3	47.3	6.5	2300
D259	25	22	6.5	/
D350	40.5	39.5	6.5	2500
D355	26	30.5	6.5	/
D357	50.8	39	5.5	460
D359	47.5	41.2	6.5	1820
D450	38	35	9	3000
D451	27	41.3	6.5	1361
D453	51	42.99	8	3000


**Double J hook**


ITEM NO	A	B	C	D	E	BS
A700	108	76	32	20	121	10000KGS
A5000-84.6	75	51	24	20	84.6	5000KGS
A5001C	74	50.5	24	20	107	5000KGS
A5000-81	72	48	24	20	81	5000KGS
A2003	67	47	20	23	81.5	3000KGS
A2001-1	68.6	54	14.6	25	69	1500KGS
A2007	62	48	14	26	76	1500KGS
A1001	43	27	16	20	78	1500KGS
A1003	42	30	13	10	49.5	1600KGS
A1002	40	26	14	10	47	1600KGS
A1011	42	29	13	10	60	1000KGS

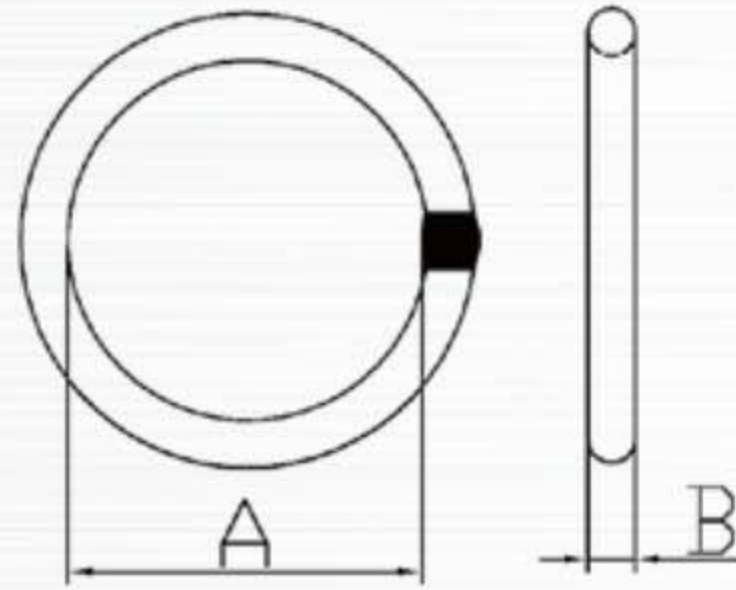

**Hook with Triangle**


ITEM NO.	A	B	C	D	CAP.
A5000-T	52	115	13	24	5500KGS
A3003-T	37	95	9	16	2000KGS





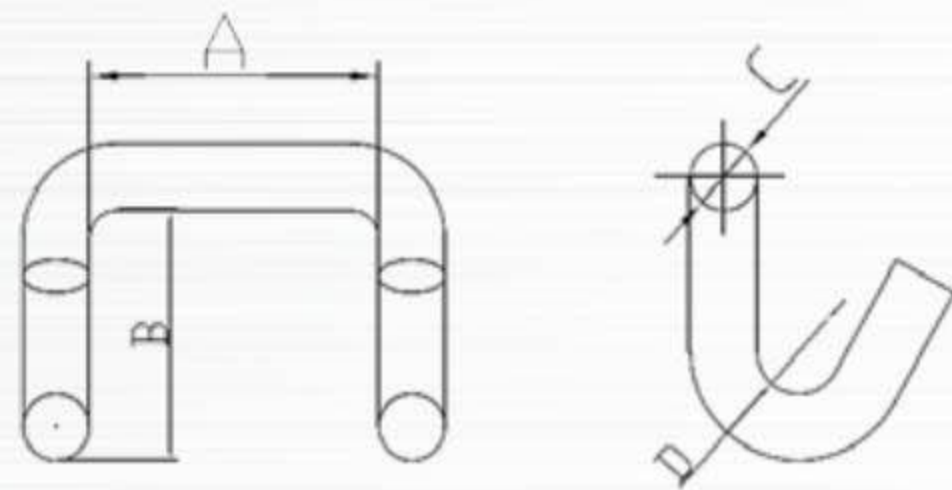
O RING



ITEM NO	A	B	BS:KGS
R502	51.5	10	4563
R504	76	8	1200
R509	51	8	2500
R510	51	6	700
R513	50	6.5	2270



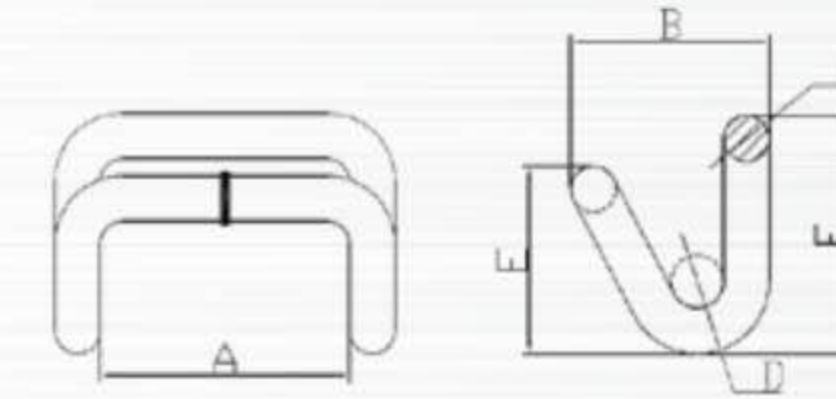
OPEN HOOK



ITEM NO	A	B	C	D	BS
A5002	52	57	12	15	5000KGS
A5002-3	53	72	12	16	5000KGS
A5002-1	40	55	10	17	3300KGS
A5004	128	85.3	12	34	4000KGS



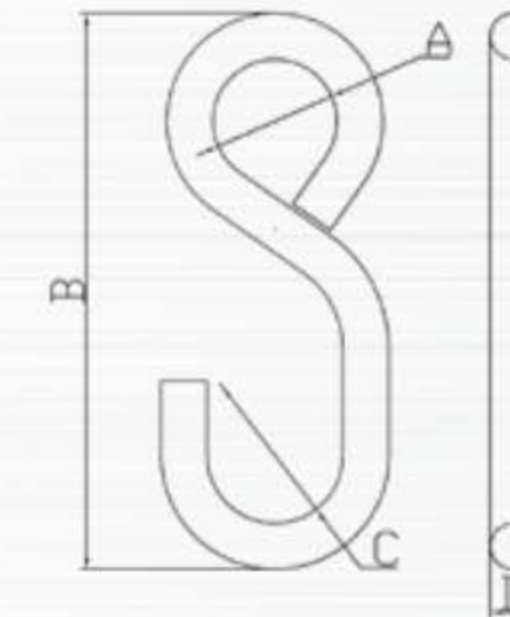
RAVE HOOK



ITEM NO	A	B	C	D	E	F	BS
A2040	52	41.5	9.5	11	39	49.5	3000KGS
A2030	53	37	10	14.5	39	39	3000KGS
A2060	55	36.2	10	10	37.5	37.5	3000KGS
A2050	38	56	12	32	32.5	103	2500KGS



S HOOK

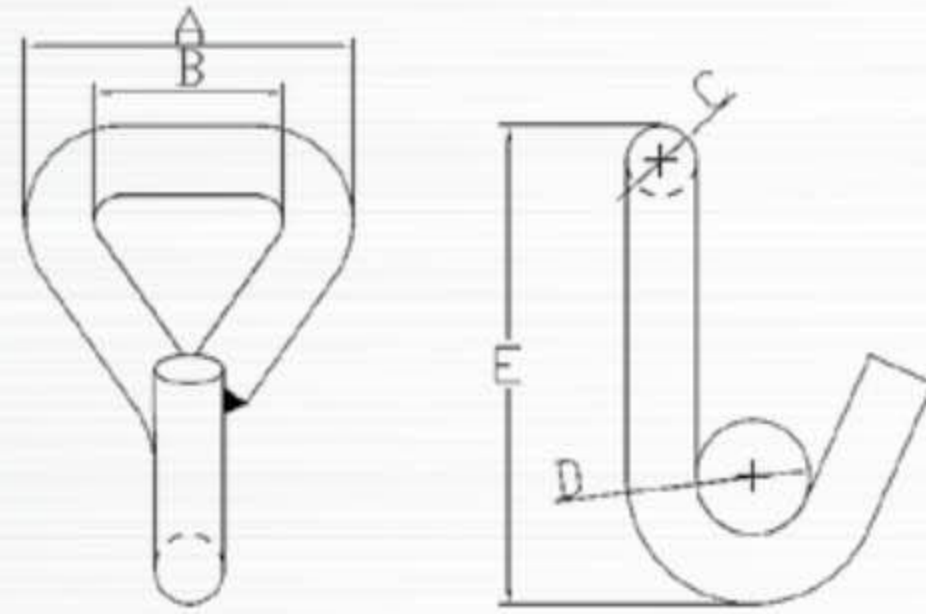


ITEM NO		A	B	C	D	BS
ZINC	RE. COATED					
S351	S351PE	25	120	34	9.5	1000KGS
S357	S357PE	24.5	106	30	8.5	900KGS
S358	S358PE	25	106	26	7	600KGS
S360	S360PE	27	121	29.5	10	1200KGS





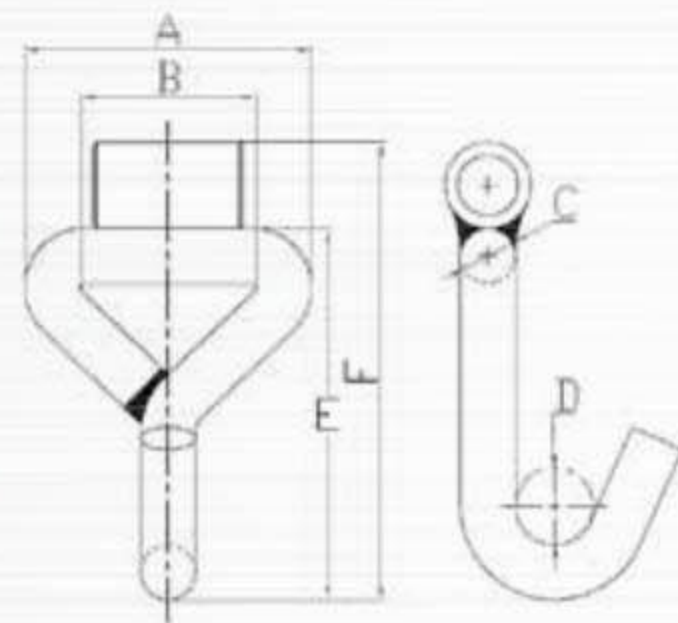
SINGLE J HOOK



ITEM NO	A	B	C	D	E	BS
A3001-1	66	38	14	23	96	3000KGS
A5001-3	84	54	15	19	137	5000KGS
A5001-5	84	52	16	19	127	5000KGS



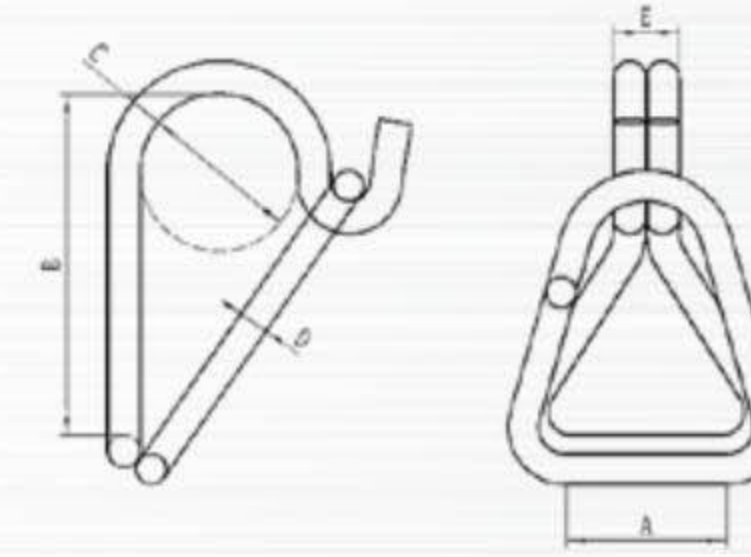
SINGLE J HOOK WITH TUBE



ITEM NO	A	B	C	D	E	F	BS
A3001-1T	67	41	13	18	88	110	3000KGS
A5001-1T	82	52	15	19	137	165	5000KGS



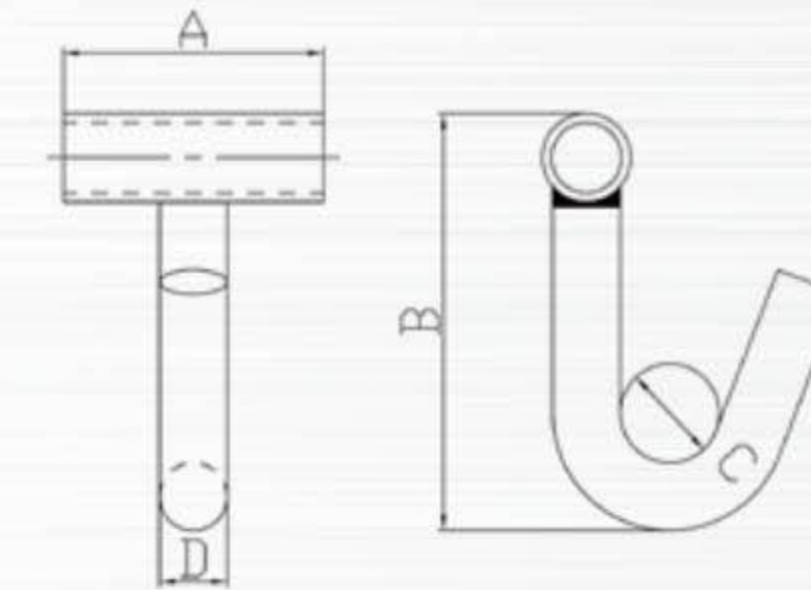
SWAN HOOK



Item Code	A	B	C	D	E	CAP
A3004-D	50	70	25	8.5	17	5000KGS
A3005-D	27	68	24	6.5	13	3000KGS
A3006-D	25	52	25	6.5	13	817KGS



TUBE HOOK.



ITEM NO.	A	B	C	D	CAP
A3014	50	83	19	13	3000KGS
A3016	50	80	19	16	5000KGS





**A2080** Closed Rave Hook,  
BS 3180kgs/7000lbs.



**A5004** Welded Open Hook,  
BS 4000kgs/8800lbs



**K8541** 2" Waisted D Ring  
stainless steel,3000lbs



**R511** Heavy Duty Pear Link, 5T



**#5003**  
U Shaped Floor Fitting



**5005**  
Swivel Eye Bolt



**9017-01**  
Connect Buckle



**9068**  
10 degree Bracket



**A-3**  
Connect Plate



**A-5**  
2" Web Adjuster,  
1500kgs/3300lbs



**A-8**  
2" Web Adjuster,  
900kgs/1980lbs



**GM09**  
2" Web Adjuster,  
1500kgs/3300lbs



**GM14-A**  
2" Web Adjuster,  
1500kgs/3300lbs



**K1845**  
Wood Beam Socket,  
1600lbs



**K1846**  
Heavy Duty Wood Beam  
Socket,3000lbs



**RH103**  
2"Connect Plate





**RH105**  
3" Slide Adjuster



**RH111-B**  
Web Adjuster



**RH112**  
1 3/4" Connect Plate



**RH101F RH106F**  
3" Connect Racing Buckle



**RH101-RH106**  
3" Connect Racing Buckle



**RH102, RH103**  
2" Connect Racing Buckle



**RH112A**  
3" Connect Plate



**RH112-B**  
Connect Plate



**TY26**  
2" Metal Belt Ring



**TY27**  
1" Bolt Plate,  
1000kgs/2200lbs



**TY28**  
2" Zinc Plated Roller Buckle,  
500kgs/1100lbs



**DB-1**  
Decking beam head